

CATEGORY	DESCRIPTION	P/N #
CONNECTOR	USB A TYPE DIP TYPE	UB1041-28FX0-0010

UB1041-28FX0-0010

Material & Plating

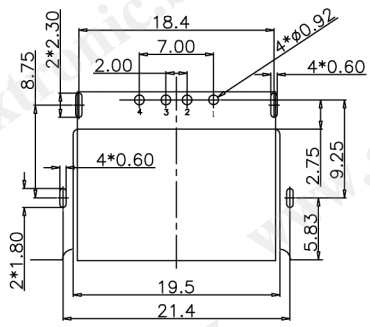
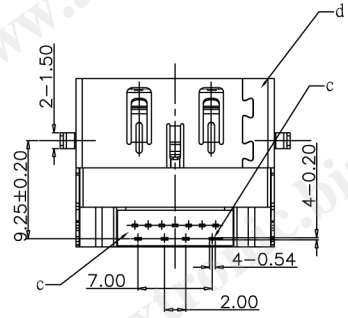
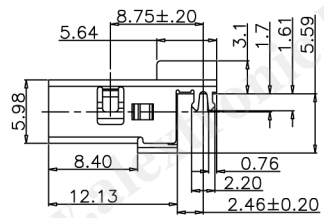
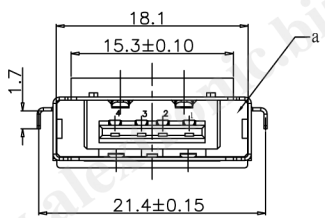
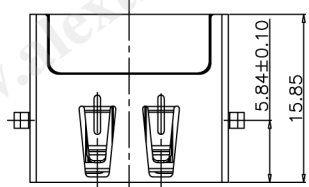
Table 1

X	Terminal Plating
0	Au 1u"/Solder Tail Tin 120u"
1	Au 3u"/Solder Tail Tin 120u"
2	Au 15u"/Solder Tail Tin 120u"
3	Au 30u"/Solder Tail Tin 120u"

REV.	ECN NO	DESCRIPTION	REVISED	DATE
R01		New Release	JackLiu	2010.01.14

**SPECIFICATION**

- \*ELECTRICAL
  - CONTACT RESISTANCE:30mΩ MAX.
  - DIELECTRIC WITHSTANDING VOLTAGE:500V AC MAX.
  - INSULATION RESISTANCE:1000MΩ MIN.
  - RATE CURRENT:1.5A.
- \*MECHANICAL
  - INSERTION FORCE:3.5(kg)MAX.
  - EXTRACTION FORCE:1.0(kg)MIN.
- \*MATERIAL
  - HOUSING:THERMOPLASTIC, GLASS FIBER FILLED, UL 94V-0 RATED.
  - CONTACT:C2680-EH T=0.20mm.
  - SHELL:STEEL T=0.30mm.
- \*PLATING
  - TERMINAL:NI UNDER PLATED 40U"-60U"  
GOLD G/F PLATED ON CONTACT AREA  
MATTE TIN 120U" MIN PLATED ON SOLDER AREA.
  - SHELL:NICKEL 120U" MIN.
- \*ENVIRONMENT
  - LEAD FREE AND RoHS COMPLIANCE.
  - HALOGEN FREE AVAILABLE.



**RECOMMEND P.C.BOARD LAYOUT T=1.20mm**  
PCB TOLERANCE:i00.05

c	Shell	1	Steel, T=0.3mm	Ni Plating	
b	Contact	4	Brass, T=0.2mm	See Table 1	
b	Cover	1	LCP UL94V-0	Black	
a	Housing	1	LCP UL94V-0	Black	
NO.	PART NAME	Q'TY	MATERIAL	PLATING & COLOR	Remark

UNLESS OTHERWISE SPECIFIED TOLERANCES

DECIMALS: X :±0.5  
X.X :±0.3  
X.XX :±0.2

ANGLES: X :±2°  
X.X :±1°

SCALE: 1/1	UNIT: mm	DWG. NO: WI-061-692
SIZE: A3	PAGE: 1 OF 1	REV: A03
APPROVED BY	CHECKED BY	PREPARED BY
<b>CUSTOMER COPY</b>		